

# JOSCO

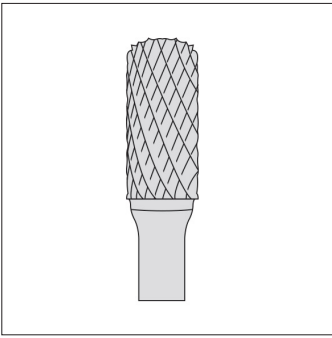
TRUSTED BY INDUSTRY SINCE 1977

## CARBIDE BURRS



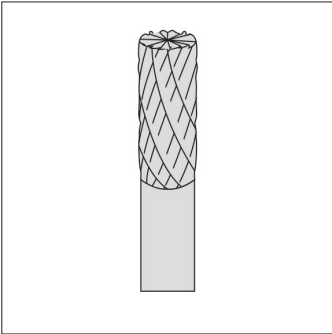
# Technical Information

## Carbide Burr Shapes



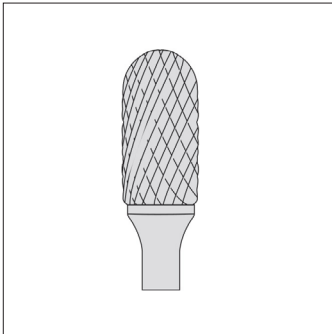
### Cylinder (No End Cut)

- Contour finishing
- Right-angled corners



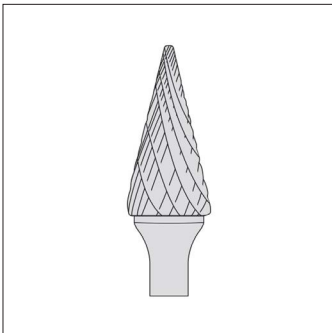
### Cylinder (with End Cut)

- Contour finishing



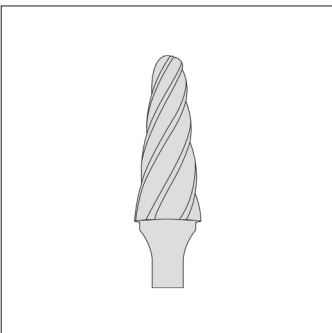
### Ball Nosed Cylinder

- Contour finishing
- Right-angled corners



### Cone (included Angle)

- Ideal for beveling, counter-boring and chamfering
- For getting into small, angled areas of your work piece
- Deburring gear teeth, heat exchanger fan blades, inside bevel edges and internal pipe edges

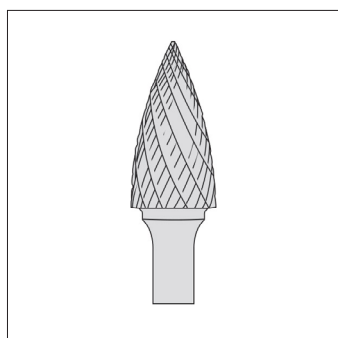


### Ball Nosed Cone (included Angle)

- Good for rounded edges and surface finishing in hard to reach areas
- Great for tight and narrow angles, plus contours

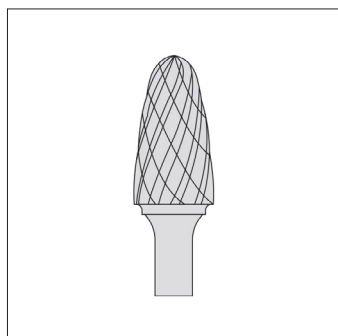
# Technical Information

## Carbide Burr Shapes



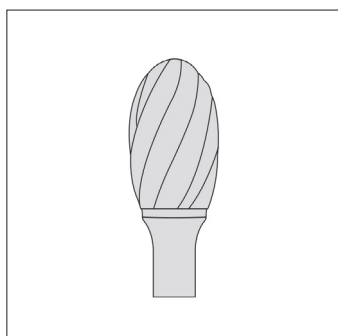
### Tree (Pointed End)

- For rounding off edges and making concave cuts
- Use the pointed end for cutting in hard to reach areas and small angled contours



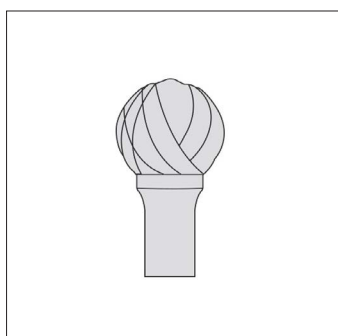
### Ball Nosed Tree

- Used for rounding off edges
- Make concave cuts



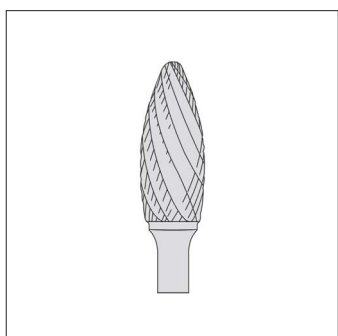
### Oval

- Great for smoothing out undercut areas
- Less prone to undercutting compared to other round burrs
- Ideal for adding curves to a surface
- Round nose is good for gently eating away under objects



### Ball

- Create concave cuts
- Shape or hollow out areas in your work piece



### Flame

- Designed for deburring and finishing elliptical surfaces in steel dies, forgings, castings and metal patterns

# Burrs

## Double-Cut (D-Cut) Burrs

Ideal for cutting stainless and carbon steel, or other hard metals. Great for metal removal, deburring and weld cleaning also.



JB1003



JB1201



JB1403



JB1301



JB1501



JB1701



JB1903



JB1602



JB1801



JB2002

# Burrs

Part No.	Head Shape	Head Dia.	Head Length	Shank Dia.	Overall Length	Inner QTY	Outer QTY	Pack Type
JB1001	Cylinder – No End Cut	6	16	1/4"	50	10	-	Clamshell
JB1002	Cylinder – No End Cut	10	20	1/4"	65	10	-	Clamshell
JB1003	Cylinder – No End Cut	12	20	1/4"	65	10	-	Clamshell
JB1004	Cylinder – No End Cut	12	25	1/4"	70	10	-	Clamshell
JB1201	Cylinder – With End Cut	10	20	1/4"	65	10	-	Clamshell
JB1401	Ball Nosed Cylinder	6	16	1/4"	50	10	-	Clamshell
JB1402	Ball Nosed Cylinder	8	19	1/4"	65	10	-	Clamshell
JB1403	Ball Nosed Cylinder	10	20	1/4"	65	10	-	Clamshell
JB1404	Ball Nosed Cylinder	12	20	1/4"	65	10	-	Clamshell
JB1405	Ball Nosed Cylinder	12	25	1/4"	70	10	-	Clamshell
JB1301	Cone 14° Included Angle	10	20	1/4"	65	10	-	Clamshell
JB1302	Cone 14° Included Angle	12	22	1/4"	70	10	-	Clamshell
JB1501	Ball Nosed Cone 14° Included Angle	10	27	1/4"	75	10	-	Clamshell
JB1502	Ball Nosed Cone 14° Included Angle	12	30	1/4"	75	10	-	Clamshell
JB1701	Tree	6	16	1/4"	50	10	-	Clamshell
JB1702	Tree	10	20	1/4"	65	10	-	Clamshell
JB1901	Ball Nosed Tree	6	16	1/4"	50	10	-	Clamshell
JB1902	Ball Nosed Tree	10	20	1/4"	65	10	-	Clamshell
JB1903	Ball Nosed Tree	12	25	1/4"	70	10	-	Clamshell
JB1601	Oval	10	16	1/4"	60	10	-	Clamshell
JB1602	Oval	12	22	1/4"	67	10	-	Clamshell
JB1801	Ball	10	9	1/4"	53	10	-	Clamshell
JB1802	Ball	12	11	1/4"	55	10	-	Clamshell
JB2001	Flame	8	19	1/4"	55	10	-	Clamshell
JB2002	Flame	12	32	1/4"	77	10	-	Clamshell

## Speed Chart: D-Cut Burrs

Material	6mm Diameter	8mm Diameter	10mm Diameter	12mm Diameter
Steel	13,000 - 32,000	10,000 - 24,000	8,000 - 19,000	7,000 - 16,000
Stainless Steel	13,000 - 19,000	10,000 - 14,000	8,000 - 11,000	7,000 - 9,000
Brass/Copper/Bronze	13,000 - 19,000	10,000 - 14,000	8,000 - 11,000	7,000 - 9,000
Cast Iron	24,000 - 32,000	10,000 - 24,000	14,000 - 19,000	12,000 - 16,000

# Burrs

## TiAlN Coated Carbide Burrs

Ideal for cutting stainless and carbon steel or other hard metals. TiAlN coating keeps the burr teeth sharp for a longer period of time. They are great for metal removal, deburring and weld cleaning as well.



JB1403T



JB1404T



JB1903T

Part No.	Head Shape	Head Dia.	Head Length	Shank Dia.	Overall Length	Inner QTY	Outer QTY	Pack Type
JB1403T	Ball Nosed Cylinder	10mm	20mm	1/4"	65mm	10	-	Clamshell
JB1404T	Ball Nosed Cylinder	12mm	20mm	1/4"	65mm	10	-	Clamshell
JB1903T	Ball Nosed Cylinder	12mm	25mm	1/4"	70mm	10	-	Clamshell

## Extra Length (XL) Burrs

Ideal for cutting stainless and carbon steel or other hard metals. Great for metal removal, deburring and weld cleaning also.



JB2501

Part No.	Head Shape	Head Dia.	Head Length	Shank Dia.	Overall Length	Inner QTY	Outer QTY	Pack Type
JB2501	Ball Nosed Cylinder	12mm	25mm	1/4"	150mm	10	-	Clamshell

## Speed Chart: D-Cut/TiAlN Coated/XL

Material	6mm Diameter	8mm Diameter	10mm Diameter	12mm Diameter
Steel	13,000 - 32,000	10,000 - 24,000	8,000 - 19,000	7,000 - 16,000
Stainless Steel	13,000 - 19,000	10,000 - 14,000	8,000 - 11,000	7,000 - 9,000
Brass/Copper/Bronze	13,000 - 19,000	10,000 - 14,000	8,000 - 11,000	7,000 - 9,000
Cast Iron	24,000 - 32,000	10,000 - 24,000	14,000 - 19,000	12,000 - 16,000

# Burrs

## Aluminium Cut Burrs

Ideal for cutting aluminium and aluminium alloys, plastics and hard rubber. They are great for aluminium stock removal. DO NOT USE on steel or hard metals because chipping will occur.



JB2101



JB2201



JB2301



JB2302

Part No.	Head Shape	Head Dia.	Head Length	Shank Dia.	Overall Length	Inner QTY	Outer QTY	Pack Type
JB2101	Ball Nosed Cylinder	10mm	20mm	1/4"	65mm	10	-	Clamshell
JB2201	Ball Nosed Cone 14° Included Angle	12mm	30mm	1/4"	75mm	10	-	Clamshell
JB2301	Ball Nosed Tree	10mm	16mm	1/4"	65mm	10	-	Clamshell
JB2302	Ball Nosed Tree	12mm	25mm	1/4"	70mm	10	-	Clamshell

## Speed Chart: Aluminium Cut

Material	10mm Diameter	12mm Diameter
Aluminium/Aluminium Alloys	24,000 - 35,000	20,000 - 30,000
Plastics/Hard Rubber	16,000 - 35,000	13,000 - 30,000

# Burr Kits

## 4 Piece Starter Kit

Four D-Cut Carbide Burrs in a range of shapes suitable for cutting stainless and carbon steel, and other hard metals. Ideal for the removal of metal, deburring and weld cleaning.

**Part Number: JBS4**

Head Shape	Head Diameter	Head Length	Shank Diameter	Overall Length	Cut
Cone	10mm	20mm	1/4"	65mm	D-Cut
Ball Nosed Cylinder	6mm	16mm	1/4"	50mm	D-Cut
Oval	10mm	16mm	1/4"	60mm	D-Cut
Ball Nosed Tree	6mm	16mm	1/4"	50mm	D-Cut

## 6 Piece Starter Kit

Five D-Cut Carbide Burrs in a range of shapes suitable for cutting stainless and carbon steel, plus other hard metals. Ideal for metal removal, deburring and weld cleaning. One Aluminium Cut Carbide Burr suitable for cutting aluminium and aluminium alloys, plastics and hard rubber. It is ideal for aluminium stock removal.

**Part Number: JBS6**

Head Shape	Head Diameter	Head Length	Shank Diameter	Overall Length	Cut
Ball Nosed Cylinder	10mm	20mm	1/4"	65mm	D-Cut
Ball Nosed Cone	10mm	27mm	1/4"	75mm	D-Cut
Oval	10mm	16mm	1/4"	60mm	D-Cut
Ball Nosed Tree	6mm	16mm	1/4"	65mm	D-Cut
Cylinder	6mm	16mm	1/4"	50mm	D-Cut
Ball Nosed Cylinder	10mm	20mm	1/4"	65mm	A-Cut



JBS4



JBS6



# Ordering Information

Part No.	Barcode	Inner Pack Barcode	Outer Pack Barcode
JB1001	9314028203000	19314028203007	29314028203004
JB1002	9314028203017	19314028203014	29314028203011
JB1003	9314028203024	19314028203021	29314028203028
JB1004	9314028203031	19314028203038	29314028203035
JB1401	9314028203079	19314028203076	29314028203073
JB1402	9314028203086	19314028203083	29314028203080
JB1403	9314028203093	19314028203090	29314028203097
JB1404	9314028203109	19314028203106	29314028203103
JB1405	9314028203116	19314028203113	29314028203110
JB1301	9314028203055	19314028203052	29314028203059
JB1302	9314028203062	19314028203069	29314028203066
JB1501	9314028203123	19314028203120	29314028203127
JB1502	9314028203130	19314028203137	29314028203134
JB1701	9314028203178	19314028203175	29314028203172
JB1702	9314028203185	19314028203182	29314028203189
JB1901	9314028203215	19314028203212	29314028203219
JB1902	9314028203222	19314028203229	29314028203226
JB1903	9314028203239	19314028203236	29314028203233
JB1601	9314028203147	19314028203144	29314028203141
JB1602	9314028203154	19314028203151	29314028203158
JB1801	9314028203192	19314028203199	29314028203196
JB1802	9314028203208	19314028203205	29314028203202
JB2001	9314028203246	19314028203243	29314028203240
JB2002	9314028203253	19314028203250	29314028203257
JB1403T	9314028203338	19314028203335	29314028203332
JB1404T	9314028203253	19314028203250	29314028203257
JB1903T	9314028203376	19314028203373	29314028203370
JB2501	9314028203321	19314028203328	29314028203325
JB2101	9314028203260	19314028203267	29314028203264
JB2201	9314028203284	19314028203281	29314028203288
JB2301	9314028203307	19314028203304	29314028203301
JB2302	9314028203314	19314028203311	29314028203318
JBS4	9314028203352	19314028203359	29314028203356
JBS6	9314028203369	19314028203366	29314028203363

# JOSCO

TRUSTED BY INDUSTRY SINCE 1977

Josco's extensive product range also includes Australia's biggest and best range of wire brushes, a comprehensive range of abrasive equipment including strip-it discs & wheels, flap discs & flap wheels, mounted points, surface preparation and sanding kits, engineering products and hand tools like keystone and engineering chalk, holesaws, lubrication equipment, levels and measuring tools, plus a wide variety of brooms and cleaning products for household and commercial purposes.

**[WWW.JOSCO.COM.AU](http://WWW.JOSCO.COM.AU)**